

# Technical Datasheet

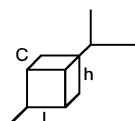


Revision: A

Product **0311020000 (P)**  
Reference: **0311020101 (S)**

Description:

**Urinal 0027 Rear  
Water Inlet**



- **Technical Specifications:**
- **Packaging:**

Type of Packaging	Ribbed Card Box
Package Dimension (mm)	-
Product Weight (Kg)	-
Product Dimension (mm)	C = 400, l=300, h=470
Gross Weight (Kg)	10

- **Product Specifications:**

Material	Stainless Steel AISI 304
Type of Finishing	Polished or Satin
Vandal-Resistant Features	-
Fixing	Wall
Water Inlet	Back
Water Inlet Diameter	Ø ½"
Waste Outlet	Wall
Waste Outlet Diameter	Ø ¼"

SENDA reserves the right to change the specifications of its products without previous notice.  
Accessories (faucets / taps, valves and others) shown in some pictures are not included, except if explicitly specified. Please contact SENDA if eventually there is any doubt.

P13.0.07-D

Prepared by:

Date:

Verified by:

Date:

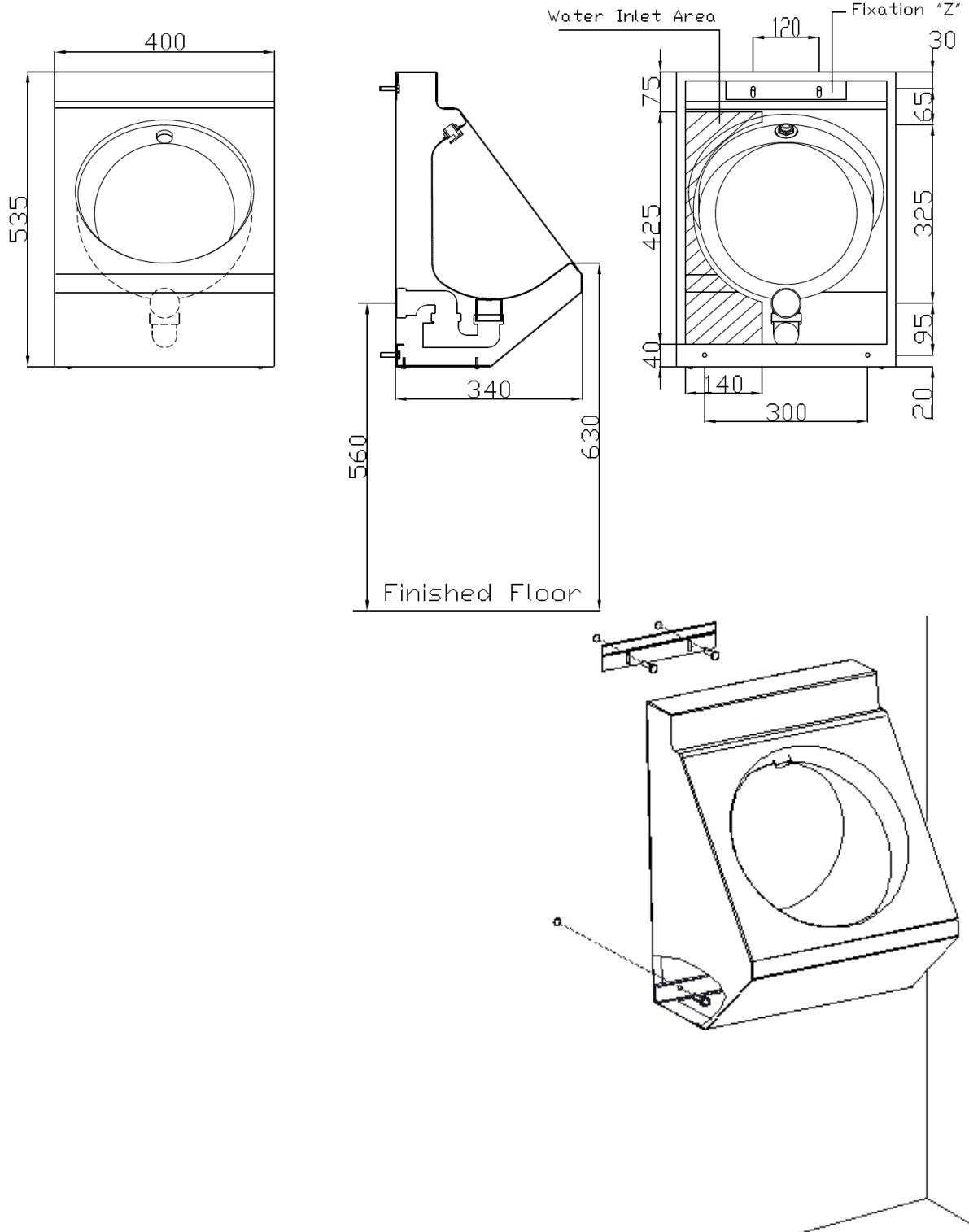
Page 1 of 2

# Technical Datasheet



Revision: A

## DIMENSIONS:



P13.0.07-D

Prepared by:

Date:

Verified by:

Date:

Page 2 of 2